



## C21BB-UE

### Descriptions

C21BB-UE26 LED Bulb is a new type LED light source, in replacement of traditional high power lights. LED Bulb is a high-end lighting product with the advantages of high efficiency, long lifespan and good energy conservation. This product adopts unique light distribution design, making the light softer, which is good to human eyes and environment.

### Features

- No glare.
- High quality LED light source, long lifespan.
- Ceramic heat sink materials are used to achieve excellent heat dissipation.
- Hollow out enclosure, combination of both aesthetics elegance and good cooling result.

### Applications

- Warehouses, halls, gymnasiums, libraries, museums etc.

### Performance

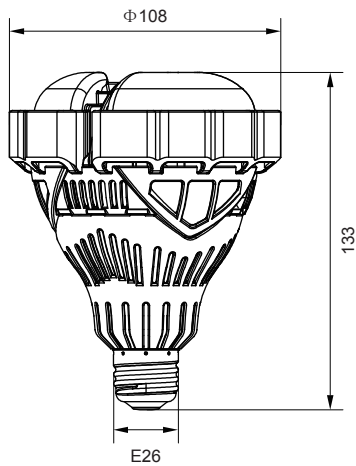
- Input Voltage: 90~132VAC
- Main Material: Ceramics + PC
- Power Factor:  $\geq 0.95$
- Color Temperature: 6500K
- CRI:  $Ra \geq 80$
- Protection Rating: IP20
- Color: Milk White
- LED Lifespan: 25000 hrs to 70% lumen maintenance (at 25 °C)

### Operating Environment

- Operating Temperature: -20 °C ~ +45 °C
- Operating Humidity: 10%~95% RH

\*Based on the LM-80 testing and the TM-21 projection.

## Dimensions (mm)



Dimensions (mm)	L	W	H
C21BB-UE26-30W	108	108	133

## Order Information

C21BB-UE

---

-

-

-

-

Model	Wattage	Color Temperature	Voltage Input	Color	Option	Note
C21BB-UE26	030 = 30W	1 = 6500K	1 = 90 ~ 132VAC	1 = Milk White	N = None	

## Specifications

Model	Voltage Input	Power	Luminous Efficiency (lm/W)	Luminous Flux (lm)	Light Cap
C21BB-UE26	90~132VAC	30W	≥93	2800	E26

## Light Distribution Curve

